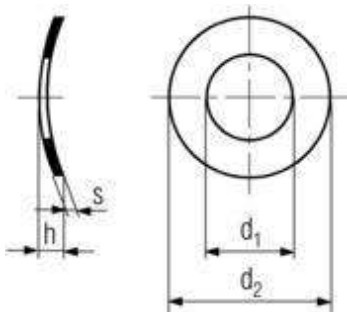


## DIN 137A Specifications

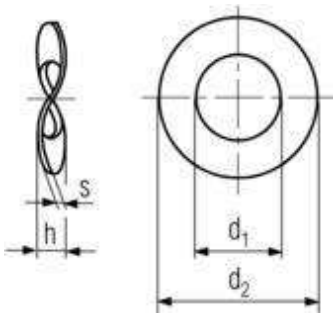


All measurements in millimeters (mm)

<b>d<sub>1</sub></b>	<b>for screw</b>	<b>d<sub>2</sub></b>	<b>s</b>
2.2	M2	4.5	0.3
2.8	M2.5	5.5	0.3
3.2	M3	6	0.4
3.7	M3.5	7	0.4
4.3	M4	8	0.5
5.3	M5	10	0.5
6.4	M6	11	0.5
7.4	M7	12	0.5
8.4	M8	15	0.5
10.5	M10	18	0.8

All information is strictly informative

## DIN 137B Specifications



All measurements in millimeters (mm)

<b>d<sub>1</sub></b>	<b>used for</b>	<b>d<sub>2</sub></b>	<b>s</b>
3.2	M3	8	0.5
3.7	M3.5	8	0.5
4.3	M4	9	0.5
5.3	M5	11	0.5
6.4	M6	12	0.5
7.4	M7	14	0.8
8.4	M8	15	0.8
10.5	M10	21	1
13	M12	24	1.2
15	M14	28	1.6
17	M16	30	1.6
19	M18	34	1.6
21	M20	36	1.6
23	M22	40	1.8
25	M24	44	1.8
28	M27	50	2
31	M30	56	2.2
34	M33	60	2.2
37	M36	68	2.5

All information is strictly informative