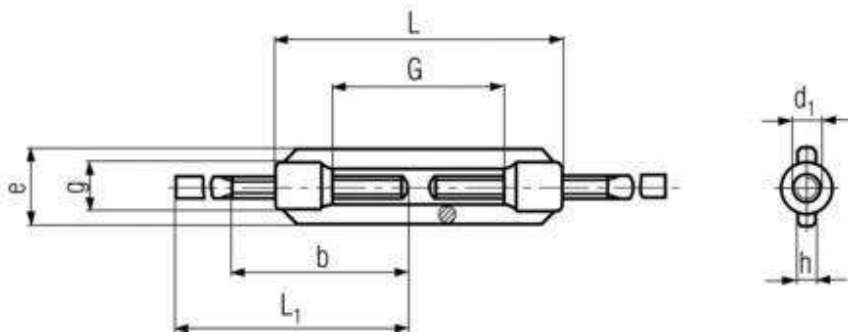


DIN 1480 Specifications



All measurements in millimeters (mm)

d_1	L	G	e	g	h min.	b_1	c	L_3
M6	110	86	19	12	6	50	10	85
M8	110	80	23	15	8	55	10	90
M10	125	89	30	18	9	65	14	110
M12	125	83	34	21	11	65	18	115
M14	140	90	36	25	13	80	18	125
M16	170	116	42	27	14	85	22	160
M20	200	132	52	34	17	115	25	185
M24	255	177	60	39	20	130	28	210
M30	255	165	74	46	23	150	38	240

All information is strictly informative