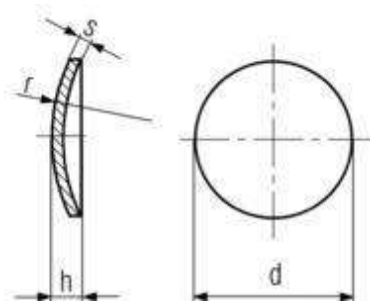


DIN 470 Specifications



All measurements in millimeters (mm)

d	h	r	s
10	2.67	12	1.6
12	2.77	16	1.6
14	2.94	19	1.6
16	3.11	22	1.6
18	3.28	25	1.6
20	3.45	28	1.6
25	4.38	34	2
28	4.53	40	2
30	4.77	42	2
32	4.95	45	2
34	5.11	48	2
36	5.36	50	2
38	5.6	52	2
40	5.7	56	2
42	5.8	60	2
45	6.15	63	2
48	6.38	68	2
50	6.62	70	2
52	6.66	75	2
56	7.06	80	2
60	7.47	85	2

All information is strictly informative