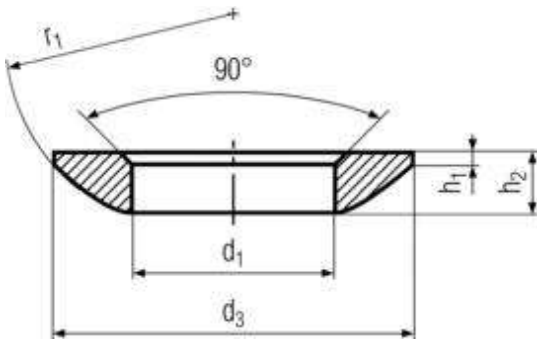


DIN 6319C Specifications

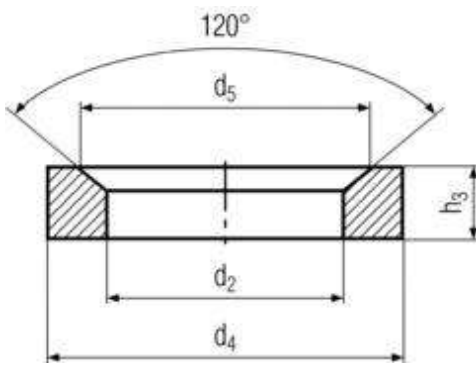


All measurements in millimeters (mm)

For Screw	d_1	d_3	h_1	h_2	r_1
M6	6.4	12	0.7	2.3	9
M8	8.4	17	0.6	3.2	12
M10	10.5	21	0.8	4	15
M12	13	24	1.1	4.6	17
M14	—	—	—	—	—
M16	17	30	1.3	5.3	22
M20	21	36	—	6.3	27
M24	25	44	—	8.2	32
M30	31	56	—	11.2	41

All information is strictly informative

DIN 6319D Specifications



All measurements in millimeters (mm)

For Screw	d_2	d_4	d_5	h_3
M6	7.1	12	11	2.8
M8	9.6	17	11.5	3.5
M10	12	21	18.5	4.2
M12	14.2	24	20	5
M14	16.5	28	24.8	5.6
M16	19	30	26	6.2
M20	23.2	36	31	7.5
M24	28	44	37	9.5
M30	35	56	49	12

All information is strictly informative