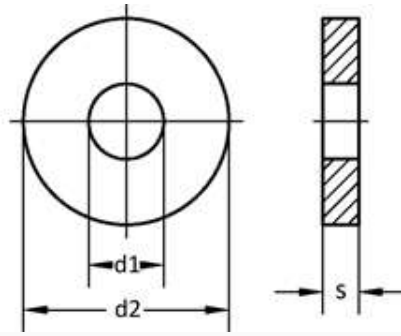


DIN 6340 Washers For Clamping Devices



d1	6,4	8,4	10,5	13	17	21	25	31
d2	17	23	28	35	45	50	60	68
s	3	4	4	5	6	6	8	10
For Thread Size	M 6	M 8	M 10	M 12	M 16	M 20	M 24	M 30