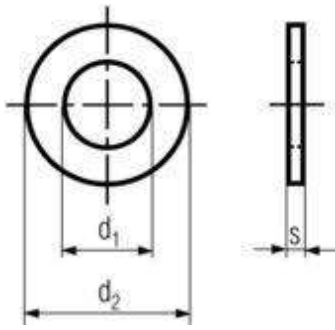


## DIN 7989 Specifications



All measurements in millimeters (mm)

$d_1$	used for	$d_2$	$s$
11	M10	21	8
14	M12	24	8
18	M16	30	8
22	M20	37	8
26	M24	44	8
30	M27	50	8
33	M30	56	8

All information is strictly informative